

# DUAL-CHIP LED LAMPS

Package	Part No.	Chip		Lens Appearance	Absolute Maximum Ratings				Electro-optical Data (At 20mA)			Viewing Angle 2θ 1/2 (deg)	Drawing No.
		Material/Emitted Color	Peak Wave Length λp (nm)		Δλ (nm)	Pd (mw)	If (mA)	Peak (mA)	Vf (V)		Iv (mcd)		
									Typ.	Max	Typ.		
T-1 Standard 1.0" Lead 3 φ	BL-BEG271	GaAsP/GaP/Hi-Eff Red	635	White Diffused	45	80	30	150	2.0	2.6	30.0	45	D-031
		GaP/GaP/Yellow Green	568		30	80	30	150	2.2	2.6	30.0		
	BL-BYG271	GaAsP/GaP/Yellow	585	White Diffused	35	80	30	150	2.1	2.6	15.0		
		GaP/GaP/Yellow Green	568		30	80	30	150	2.2	2.6	30.0		
T-13/4 Standard 1.0" Lead 5 φ	BL-BEG274	GaAsP/GaP/Hi-Eff Red	635	White Diffused	45	80	30	150	2.0	2.6	50.0	50	D-032
		GaP/GaP/Yellow Green	568		30	80	30	150	2.2	2.6	50.0		
	BL-BYG274	GaAsP/GaP/Yellow	585	White Diffused	35	80	30	150	2.1	2.6	45.0		
		GaP/GaP/Yellow Green	568		30	80	30	150	2.2	2.6	50.0		
2.0 x 5.0 x 7.0mm 1.0" Lead Rectangular	BL-REG272N	GaAsP/GaP/Hi-Eff Red	635	White Diffused	45	80	30	150	2.0	2.6	4.0	125	D-033
		GaP/GaP/Yellow Green	568		30	80	30	150	2.2	2.6	4.0		
	BL-RYG272N	GaAsP/GaP/Yellow	585	White Diffused	35	80	30	150	2.1	2.6	3.5		
		GaP/GaP/Yellow Green	568		30	80	30	150	2.2	2.6	4.0		
T-1 3/4-Flangeless 1.0" Lead 5 φ	BL-BGS334N	GaP/GaP/Yellow Green	568	Water Clear	30	80	30	150	2.2	2.6	80.0	55	D-034
		GaAlAs/Super Red	660		20	60	30	150	1.7	2.6	200		
	BL-BSS234N	GaAlAs/Super Red	660	White Diffused	30	80	30	150	2.2	2.6	50.0		
		GaAlAs/Super Red	660		20	60	30	150	1.7	2.6	50.0		

Remark: 1. Hi-Eff Red/High-Efficiency Red.

2. Trans/Transparent.

3. 2θ 1/2 The off-axis angle at which the luminous intensity is half the axial luminous intensity.

D-031	BL-Bxx271 Series	D-032	BL-Bxx274 Series
D-033	BL-Rxx272N Series	D-034	BL-Bxx234N-1 Series

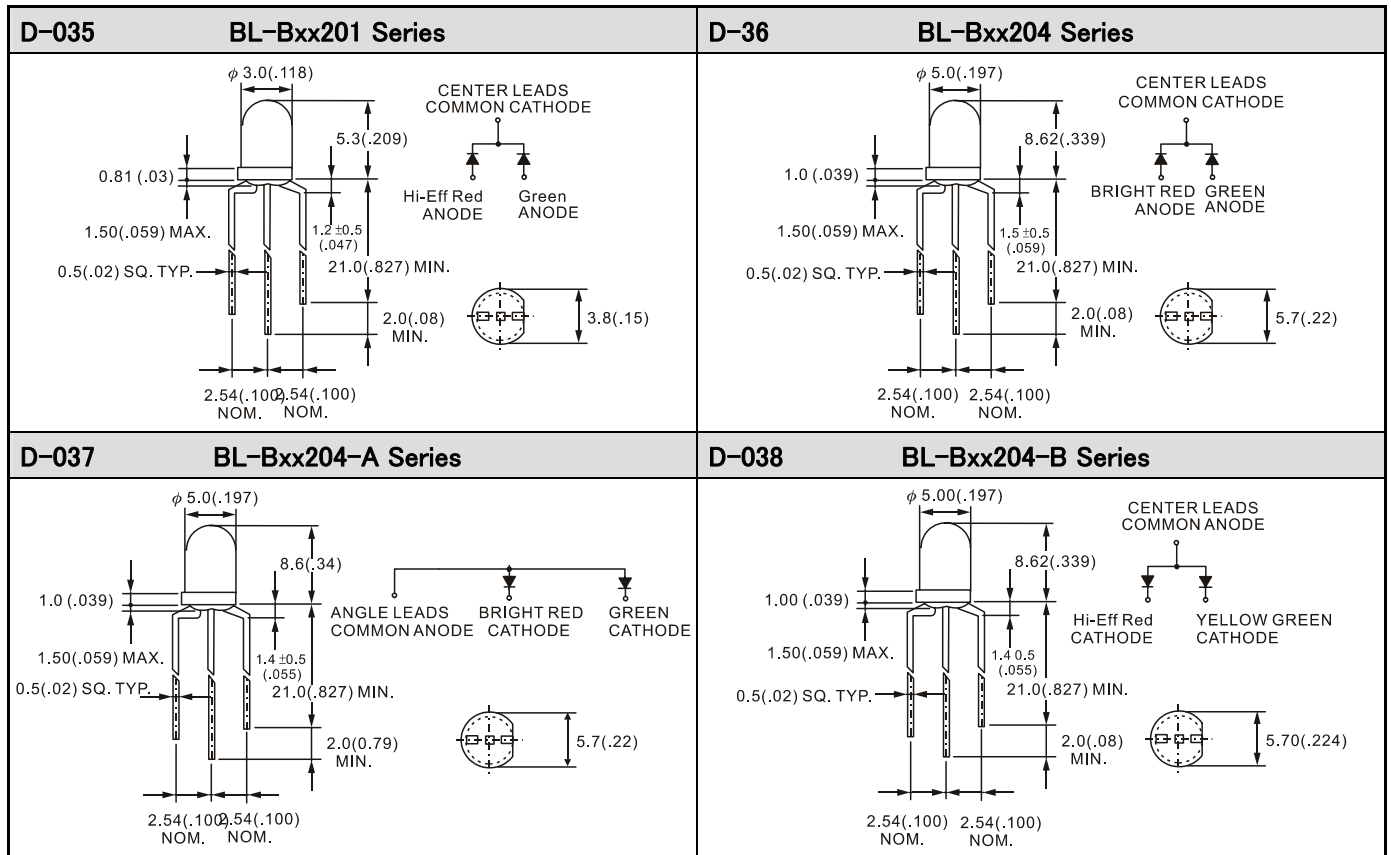
Notes: 1. All Dimensions are in millimeters (inches).

2. Tolerance is ±0.25mm (.010")

# DUAL-CHIP & TRI-STATE LED LAMPS

Package	Part No.	Chip		Lens Appearance	Absolute Maximum Ratings				Electro-optical Data (At 20mA)			Viewing Angle 2θ 1/2 (deg)	Drawing No.
		Material/Emitted Color	Peak Wave Length λp (nm)		Δλ (nm)	Pd (mw)	If (mA)	Peak (mA)	Vf (V)		Iv (mcd)		
									Typ	Max	Typ.		
T-1 Standard 1.0" Lead 3 φ	BL-BEG201	GaAsP/GaP/Hi-Eff Red	635	45	80	30	150	2.0	2.6	35.0	40	D-035	
		GaP/GaP/Yellow Green	568										30
	BL-BYG201	GaAsP/GaP/Yellow	585	35	80	30	150	2.1	2.6	30.0			
		GaP/GaP/Yellow Green	568										30
T-13/4 Standard 1.0" Lead 5 φ	BL-BEG204	GaAsP/GaP/Hi-Eff Red	635	45	80	30	150	2.0	2.6	45.0	50	D-036	
		GaP/GaP/Yellow Green	568										30
	BL-BYG204	GaAsP/GaP/Yellow	585	35	80	30	150	2.1	2.6	40.0			
		GaP/GaP/Yellow Green	568										30
T-13/4 Standard 1.0" Lead 5 φ	BL-BEG204-A	GaAsP/GaP/Hi-Eff Red	635	45	80	30	150	2.0	2.6	20.0	50	D-037	
		GaP/GaP/Yellow Green	568										30
	BL-BYG204-A	GaAsP/GaP/Yellow	585	35	80	30	150	2.1	2.6	18.0			
		GaP/GaP/Yellow Green	568										30
T-1 3/4-Standard 1.0" Lead 5 φ	BL-BEG204-B	GaAsP/GaP/Hi-Eff Red	635	45	80	30	150	2.0	2.6	20.0	50	D-038	
		GaP/GaP/Yellow Green	568										30
	BL-BYG204-B	GaAsP/GaP/Yellow	585	35	80	30	150	2.1	2.6	18.0			
		GaP/GaP/Yellow Green	568										30

Remark: 1. Hi-Eff Red/High-Efficiency Red.  
 2. Trans/Transparent.  
 3. 2θ 1/2 The off-axis angle at which the luminous intensity is half the axial luminous intensity.



Notes: 1. All Dimensions are in millimeters (inches).  
 2. Tolerance is ±0.25mm (.010")